

VISTA-32FB

COMMERCIAL FIRE AND PARTITIONED BURGLARY ALARM PLATFORM



Designed to integrate seamlessly with CCTV, access control and a full range of fire and burglary components, Honeywell's VISTA-32FB provides the ultimate protection of life and property. The UL listed Commercial Fire and Burglary Control Platform can control up to two separate partitions independently, and supports up to 32 zones/points using hardwired, wireless and addressable V-Plex technologies.

A diverse line of initiating devices, notification circuits, digital dialers, keypads, RF receivers and relays support this extremely powerful control platform. Advanced technology, combined with simple end-user operation, make the versatile VISTA-32FB the smartest choice for the most demanding applications.

FEATURES

- Supports addressable V-Plex access control points using VistaKey (1 to 4 doors)
- Supports up to 16 doors of access control using Vista Gateway Module (VGM)*
- Supports CCTV applications with the new VistaView-100 CCTV Switcher Module
- Identifies the point or zone of a fire using the new FSA-8/FSA-24 Fire System Annunciator
- Supports eight hardwired zones, 24 V-Plex addressable points/zones, or 32 wireless points/zones
- Can control two separate areas (partitions) independently
- Stores up to 512 events and can accommodate 75 user codes
- New E2 Software simplifies programming
- Easily programmed and maintained with newly upgraded Compass Downloader Software
- Automatic smoke detector sensitivity maintenance testing
- Commercial UL Wireless Fire and Burg
- * Connects to Northern Computer's PassPoint Access Control Systems. Maximum 32 doors.
- Notification Appliance Circuits (two):
 - Programmable
 - Temporal code compliant
 - Individually silenceable
- Programmable on-board auxiliary relay
- SIA false alarm reduction features:
 - Exit error logic
 - Exit delay reset
 - Cross zoning
 - Call waiting defeat
 - Recent close report
- Supports commercial hardwired, addressable V-Plex polling loop and wireless zones

VISTA-32FB

COMMERCIAL FIRE AND PARTITIONED BURGLARY ALARM PLATFORM

ADDITIONAL FEATURES

- Hardwired zones
 - Provides nine style B hardwired zones
 - EOLR supervised for Fire and UL burglary installations
 - Supports N.O. or N.C. sensors
 - Individually assignable to one or all eight partitions
 - Up to 16 two-wire smoke detectors each on zone one and two (32 total)
 - Up to 50 two-wire glassbreak detectors on zone eight
- Patented addressable V-Plex polling loop technology
 - Supports up to 24 two-wire V-Plex zones/points
 - Global polling technology for faster processing
 - Increased current draw capacity (128mA)
 - Supervised by panel
 - Individually assignable to partitions, notification circuit (bell) output or aux relay
 - 4,000 ft capability without the use of shielded cable
 - Extender/Isolation bus module
- Two-wire smoke detector zone/group expansion module adds two or four zones
- Eight zone – Class A and B extender module
- Eight zone – Class B extender module
- One zone supervised contact monitor module
- UL Listed wireless expansion
 - Supports up to 32 wireless zones/points using 5881ENHC Receiver
 - Supervised by control for check-in signals
 - Tamper protection for transmitters
 - Individually assignable up to eight partitions
 - Supports UL864/NFPA approved wireless smoke detectors
- Event reporting
- Local printer of access or VISTA related event
- Scheduled uploading of events to central station
- Up to four doors using VistaKey V-Plex Access Control

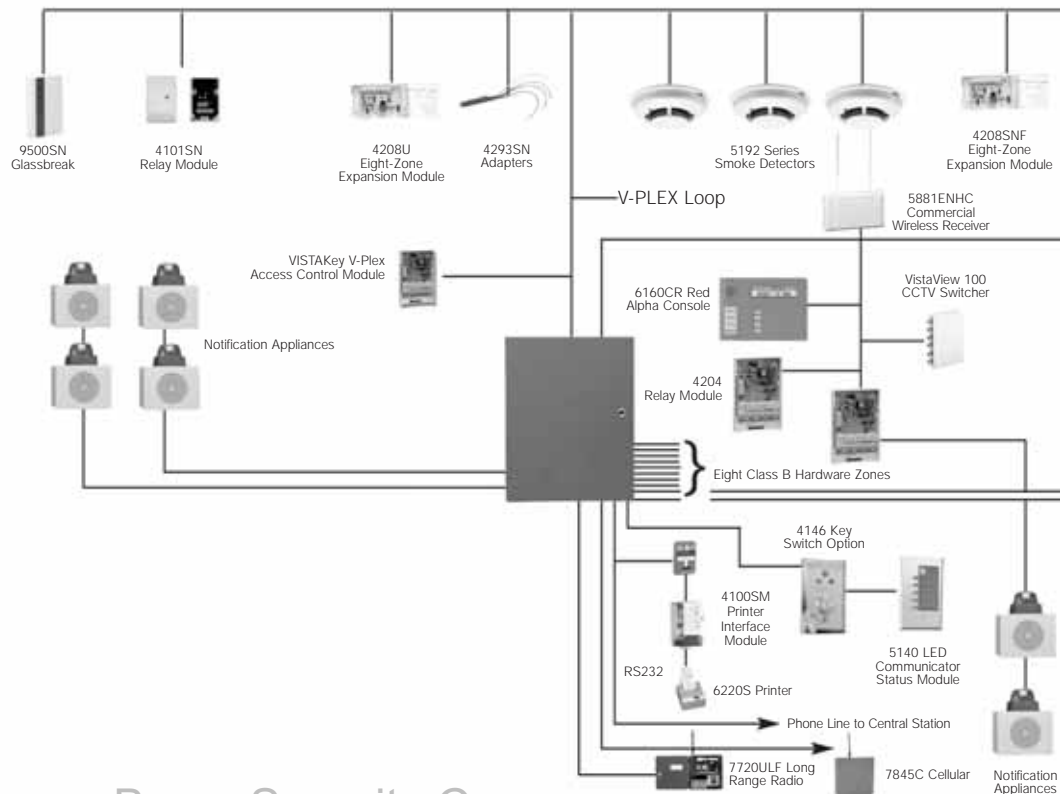
- Stored events for one call retrieval
- Communication
 - Phone mapping by zone response type
 - Supports VIP Interactive Phone Voice Module
 - Panel operation during download
 - Uploading equipment list to central station
 - Communication to PassPoint via Vista Gateway Module

Applications

The VISTA-32FB control is well suited for a variety of applications as an integrated fire and burglary control. A diverse line of initiating devices supports this extremely powerful control. Some of the applications supported are: medical and professional buildings, churches or synagogues, office buildings, schools, strip malls, larger residences and factory or warehouse environments.

Installation

The VISTA-32FB alarm system has been designed to mount both quickly and easily. It meets all applicable requirements for UL commercial fire and burglary installations.



SPECIFICATIONS

Electrical

- Primary power: 18VAC @ 72VA
ADEMCO No. 1451
- Quiescent current draw: 300mA
- Backup battery:
 - 12VDC, 7AH min to 34.4AH max
 - Lead acid battery (gel type)
- Alarm power: 12VDC, 1.7A max for each notification (bell) circuit output
- Aux. standby pwr: 12VDC, 1A max
- Total power: 2.3A at 12VDC, 3.4A at 24VDC from all sources
- 24 hours with 1A standby load or 60 hours with 205mA max standby load using 34.4AH battery

Fusing

- Battery input, aux. and notification (bell) circuit outputs are protected using PTC circuit protectors. All outputs are power limited.

Main Dialer

- Line seize: Double Pole
- Ringer equiv.: 0.7B
- Formats: ADEMCO Low Speed, ADEMCO 4+2 Express, ADEMCO High Speed, ADEMCO Contact ID, SESCOA and Radionics

Cabinet dimensions

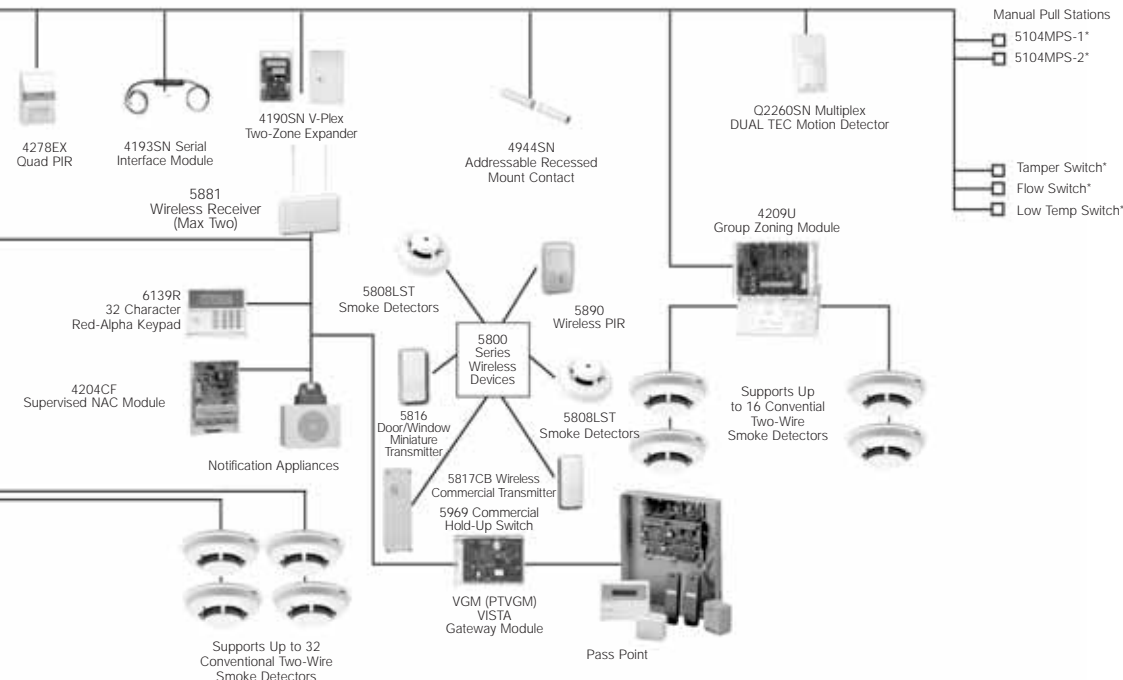
- 14.5" H X 12.5" W X 3" D

Environmental

- Storage temp: 14° to 158°F (-10° to 70°C)
- Operating temp: 32° to 122°F (0° to 50°C)
- Humidity: 85% RH
- EMI: Meets or exceeds the following requirements:
 - FCC Part 15, Class B Device
 - FCC Part 68
 - IEC EMC Directive

Agency Listings

- Burglary
- FCC Part 15, Class B; FCC Part 68
- UL Residential and Commercial
- UL864/NFPA Local Fire
- UL864/NFPA Central and Remote Station Fire
- UL609 Grad A Local Mercantile Premises/Local
- Mercantile Safe and Vault
- UL365 police station connected burglary alarm
- Grade AA Service (with LRR Model 7920SE)
- UL611/UL610 Central Station Burglar Alarm
- California State Fire Marshal
- FM



VISTA-32FB

COMMERCIAL FIRE AND PARTITIONED BURGLARY ALARM PLATFORM

SPECIFICATIONS

Auxiliary devices

- 4204 – Relay Module, four form C contacts
- 4204CF – Two supervised output circuits
- 5140DLM, Supervised Dialer
- 5881 Series – RF Receiver supporting 5800 wireless detectors
- 6160CR – Red Alpha Keypad
- 6139R – Red Alpha Keypad/annunciator
- 6220S – System printer used with 4100SM serial module
- FSA-8, FSA-24 Fire Annunciators

Two-wire smoke detectors conventional

- System Sensor smoke detectors

Horn/Strobes

- System Sensor Notification Appliances

Manual Pull Stations

- 5140MPS-1
- 5140MPS-2

V-Plex (addressable) Devices

- 4101SN Relay Zone Module
- 4190SN Remote Point Module – two zones
- 4190WH
- 4193SN Two Zone Serial Interface Module
- 4208U Loop Expansion Module – eight zones
- 4208SNF Eight Zone/2 Class A/6 Class B Expander Module

- 4209U Group Zoning Module – two/four zones
- 4293SN One Zone Serial Interface Module
- 4297 Isolation/Extender Module

CCTV

- VistaView-100-CCTV Switcher Module

V-Plex (addressable) Smoke Detectors

- 5192SD
- 5192SDT

VISTA Interactive Phone Module

- 4286 Voice Module

Passive Infrared Detectors

- 998MX
- 4275EX-SN
- 4278EX-SN
- QUEST2260SN

V-Plex (addressable) Contacts

- 4194WH, 4193SN
- 4939SN-WH
- 4944SN-WH
- 4959SN

Glassbreak Detectors

- 9500SN

Long Range Radio

- 7720ULF
- 7845C Cellular Radio

Upgraded software

- Upgraded Compass Downloader Windows compatible

Wireless Devices

- 5804 – Wireless Key
- 5804BDV – Bi-Directional Wireless Key with Voice
- 5804BD – Bi-Directional Wireless Key
- 5808C - Wireless Smoke Detector
- 5816 – Door/Window Transmitter
- 5819 – Shock Sensor
- 5827BD – Bi-Directional Keypad
- 5849 – Glassbreak Detector
- 5890 – PIR

Access Control

- VistaKey V-Plex (addressable) Access Control
- VistaKey-SK Starter Kit
- VistaKey-EX Expansion Kit
- VGM VISTA Gateway Module to PassPoint Access Control (Northern Computers)

Commercial Wireless Devices

- 5808LST - Wireless Smoke Detector
- 5809 - Wireless Heat Detector
- 5817CB - Wireless Commercial Transmitter
- 5869 - Hold-Up Transmitter
- 5881ENHC - Commercial Fire/Burg Receiver

ORDERING

VISTA-32FB

Commercial Fire and Partitioned Burglary Alarm Platform

Honeywell Security & Custom Electronics

Honeywell
2 Corporate Center Drive
Melville, NY 11747
www.honeywell.com

Honeywell

L/VISTA32FB/D
June 2007
© 2007 Honeywell International Inc.

www.BevanSecurity.Com