

MS Series Medium Range and Extended Range Proximity Readers

- Sleek Attractive Packages
- Ultra Thin Profile
- Greater Read Range for Added Convenience
- Significantly Lower Cost Than Competing Proximity Readers
- Newest in Keri's MS Series



Keri's **MS Series Proximity Readers** are designed to blend aesthetics, read range performance, and small package size with an extremely thin profile into a product that is priced significantly less than competing proximity readers. They are for use exclusively with Keri's revolutionary access control system based on the **PXL-250 Tiger Controller** and were designed by some of the industry's top RF engineers, with many years of experience in proximity reader design.

The two newest readers in the Series are the **MS-7000 Superstar™ Medium Range Proximity Reader** and the **MS-9000 MegaStar™ Extended Range Proximity Reader**. The Superstar Reader measures just 8.5" long x 6" Wide x 0.83" thick (21.6cm x 15.2cm x 2.1cm), with a read range of up to 14" (35cm). The MegaStar Reader measures 16.0" long x 12.0" wide x 1.3" thick (40.6cm x 30.5cm x 3.3cm), with a read range of 18" (45cm) at 12 VDC or 23" (58cm) at 24 VDC. Both readers are designed for applications where greater read range adds to the convenience of the system, such as parking access or physically challenged access.

The readers are attractively designed with a thin profile and modern appearance. They are compatible with all of Keri's proximity card styles as well as the small, extremely robust Keri Key Tag. Additionally, they can read any Motorola/Indala ASP Card or Tag if they are to be used in conjunction with a PXL-250 Controller.



1530 Old Oakland Road, Suite 100
San Jose, CA 95112 USA
(800) 260-5265 • (408) 451-2520 • Fax (408) 441-0309
e-mail: sales@kerisys.com web: www.kerisys.com

www.BevanSecurity.Com

DATA SHEET

MS Series Medium and Extended Range Proximity Readers

MS Series Proximity Readers

Specifications

Size

8.5"L x 6"W x 0.83"T (MS-7000)
(21.6cm x 15.2cm x 2.1cm)

16"L x 12" W x 1.3"T (MS-9000)
(40.6cm x 30.5cm x 3.3cm)

Weight

1.3 lbs. (582g) (MS-7000)
2.9 lbs. (1.3kg) (MS-9000)

Read Range*

Up to 14" (35cm) (MS-7000)

Up to 18" (46cm) @ 12VDC (MS-9000)
Up to 23" (58cm) @ 24VDC

Input Voltage

+11 VDC to +14 VDC (MS-7000)
+12 VDC to +24 VDC (MS-9000)

Current Draw

200 mA typical

Operating Temperature

-40°C to + 65°C

LED Indicator

Tri-Color Standard (Red, Green, Amber)

Audio Tone

Standard

Frequency

125 KHz excitation, 62.5 KHz return

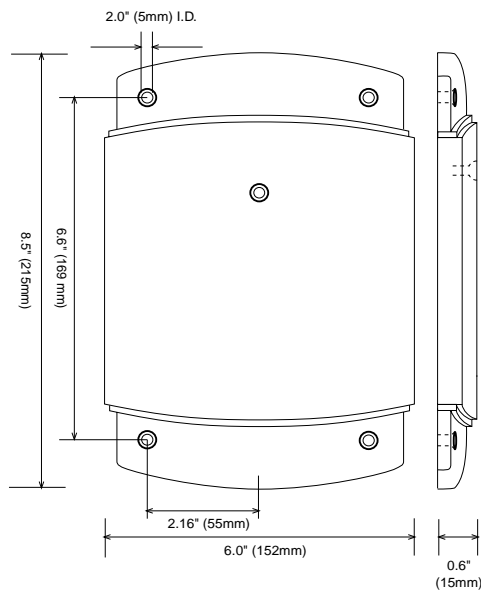
Color

Black

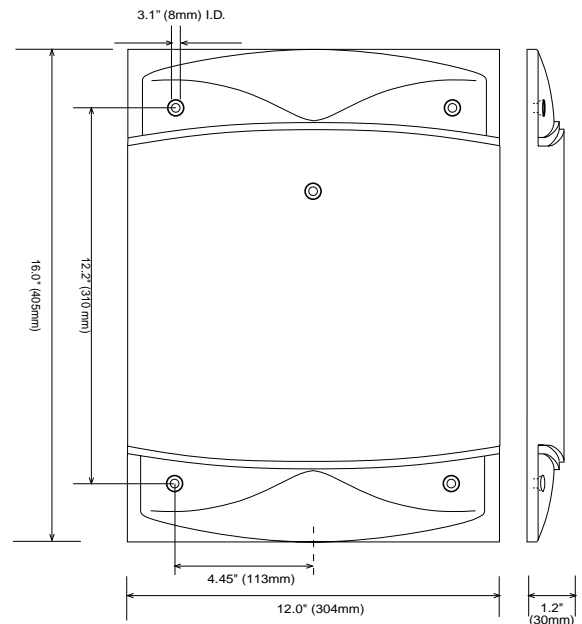
Warranty

The MS-7000 and MS-9000 carry a lifetime warranty against defects in materials and workmanship.

MS-7000 SuperStar Reader



MS-9000 MegaStar Reader



Specifications subject to change without notice.

*Read range is stated in a clean RF and electrical environment and away from metal, using KC-10 Proximity Card presented parallel to reader surface. Range is less for PKT-10 Key Tag and MT-10 Multi Technology Card. Actual range may vary according to installation.

Presented By:



(800) 260-5265 • (408) 451-2520 • Fax (408) 441-0309

Sept. 1999

www.BevanSecurity.Com