


8700-S AND 8700-D SERIES INTELLIGENT MANUAL FIRE ALARM BOXES FOR MPC-6000 AND MPC-7000 CONTROL PANELS

Features

- Durable Design
- Shock and Vibration Resistant
- Pull Down Lever Remains Down Until Reset
- Custom Microcomputer Chip Technology
- Dynamic Supervision
- Polarity Insensitive with SureWire™ Technology
- Reset with Allen Key
- No Break Rods Necessary
- Two Wire Operation
- Surface or Semiflush Installation
- Electronic Address Programming is Easier and More Dependable
- Single and Double Action Models Available
-  Listed, CFSM and NYMEA Approved

Introduction

8700-S and 8700-D intelligent manual fire alarm boxes provide the markets' most advanced method of address programming and supervision, combined with sophisticated control panel communication. Each 8700 manual fire alarm box incorporates custom microcomputer chip. The microcomputer chip technology, and its sophisticated bi-directional communication capabilities with the control panel, achieves the state of an "Intelligent Initiating Device."

Description

The 8700-S and 8700-D are constructed of durable molded polycarbonate material which is matte finished in red with raised white lettering. The housing accommodates a "pull-down" lever which, when operated, locks in position indicating the manual fire alarm box has been activated. The pull down lever remains down and locked until the manual fire alarm box is reset. The manual fire alarm box is reset only by opening the hinged housing cover with an allen key and then closing and locking the cover.

The 8700-S and 8700-D manual fire alarm boxes operate with MPC-6000 & 7000 control panels.

The manual fire alarm box's microcomputer chip has the capacity of storing, in memory, identification information as well as important operating status information.



8700-S
Single-Action Station



8700-D
Double-Action Station

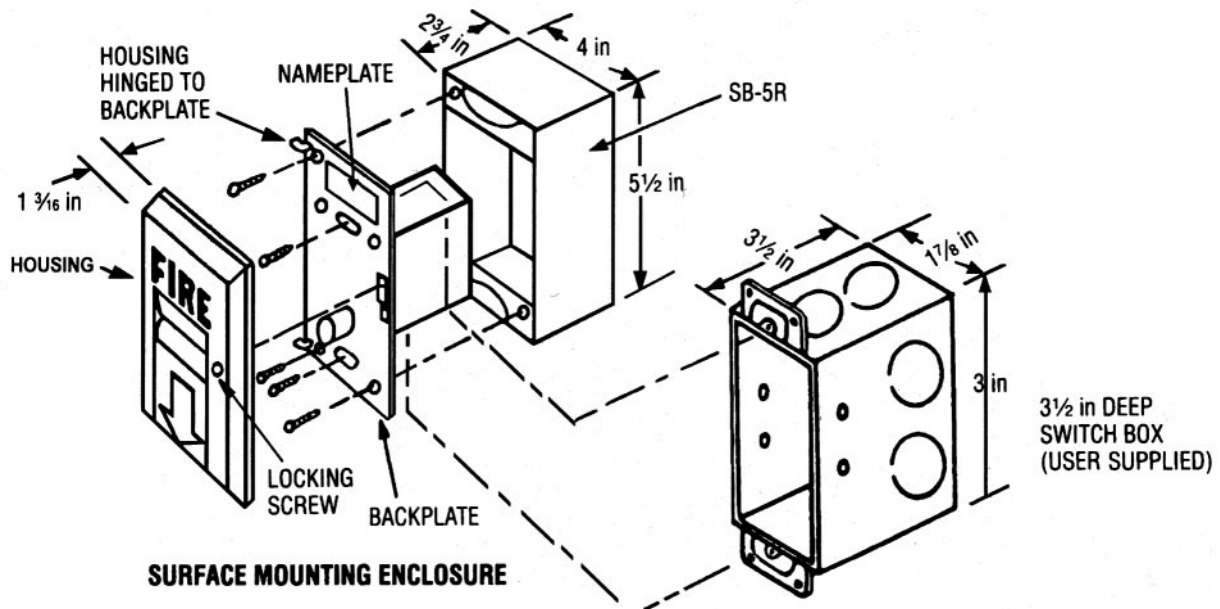
Faraday's innovative technology also allows all 8700 Series Intelligent manual fire alarm boxes to be programmed by using the Model 8720 Programmer/Tester. The Programmer/Tester is a compact, portable, menu driven accessory which makes programming and testing a manual fire alarm box device faster, easier and more dependable than previous methods. The 8720 eliminates the need for the device's mechanical addressing mechanisms, such as program jumpers, dipswitches or rotary dials because the 8720 electronically sets the manual fire alarm box's address into its microcomputer chip, nonvolatile memory. Vibration, corrosion and other conditions which deteriorate mechanical addressing mechanisms are no longer a cause for concern.

The 8700-S and 8700-D are fitted with screw terminals for connection to an addressable circuit. They can be either surface or semiflush mounted.

The 8700 Series manual fire alarm boxes derive their power, communicate information and receive commands over a single pair of wires.

The 8700 Series is compatible on the same circuit with all 8700 detectors, interfaces or addressable conventional zone modules.

Mounting Data



Electrical Ratings

Current Draw (Active or Standby): 1mA

Ordering Information

Model	Description	Shipping Lbs.	Weight kg.	Part No.
8700-S	Addressable Manual Fire Alarm Box Single Action	2.0	.90	500-033200FA
8700-D	Addressable Manual Fire Alarm Box, Double Action	2.5	1.13	500-033400FA
SB-SR	Surface Mounting Box	1.5	.68	310-019860FA
LTP	ResetTool Package (Contains 2 tools)	.5	.23	500-620490FA



Siemens Building Technologies, Inc.
 8 Fernwood Road • Florham Park, NJ 07932
 Tel: (973) 593-2600 • Fax: (973) 593-6670
 Web: www.faradayfirealarms.com

WARNING - The information contained in this document is intended only as a summary and is subject to change without notice. The devices described in this document have specific instruction sheets which cover various technical, limitation and liability information. Copies of these instruction sheets and the General Product Warning and Limitations Document, which also contains important information, are provided with the product and are available from the Manufacturer. Information contained in these documents should be consulted before specifying or using the product. For further information or assistance concerning particular problems contact the Manufacturer.