


8730 DUCT DETECTOR TEST SWITCH

Features

- Key Operated
- LED Indicates Detector in Alarm
- Mounts in Single Gang Box
- Compatible with All Faraday Brand Intelligent Duct Detectors
-  UL Listed

Description

The 8730, Test Switch Module is a key activated device that will functionally test a detector. The module is compatible with Faraday intelligent fire, smoke and duct detectors used on MPC 6000 and 7000 systems.

The 8730 includes a red LED that illuminates when the corresponding duct detector is in alarm. The switch operates in conjunction with a 8704 Interface Module with relay. Either that relay or the relay in the duct detector can be used for control of building equipment such as HVAC fans and elevators. The 8730 mounts in a single gang electrical box and includes a red cover plate.

When the switch is operated a signal is transmitted to the appropriate detector forcing it to alarm. That alarm will activate all functions programmed to follow that detector. The 8730 therefore provides a true functional test of the actions associated with duct detectors on MPC 6000 or 7000 systems as required by many jurisdictions.

Underwriters' Laboratories, Inc has listed the 8730 as compatible with intelligent detectors.

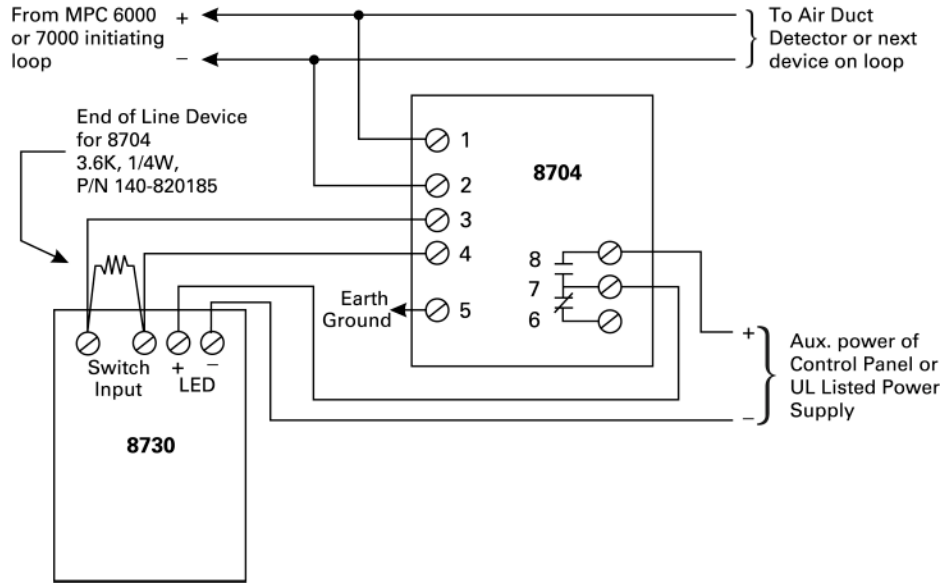


Ordering Information

Model	Description	Part No.
8730	Detector Test Switch	500-696353FA

Refer to Installation Instructions, P/N 315-098285FA

Wiring Diagram



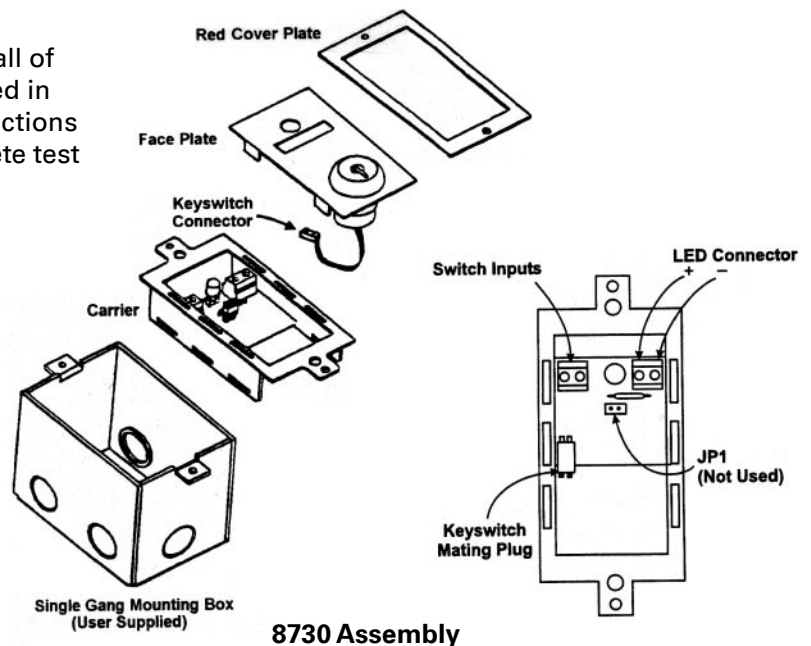
Notes:

1. For use only with Air Ducts with an incorporated relay.
2. Refer to the 8704 Installation Instructions, P/N 315-033300FA, for specific interface module wiring requirements.
3. Refer to the 8840 Installation Instructions, P/N 315-095659FA, or the 8717 Installation Instructions, P/N 315-033280FA, for specific duct detector wiring requirements, as applicable.

Mounting Diagram

Caution:

The 8730 switch module does not perform all of the required smoke detector test as specified in NFPA Standard 72. Please refer to the instructions that accompany the detector for the complete test requirements.



Siemens Building Technologies, Inc.
 8 Fernwood Road • Florham Park, NJ 07932
 Tel: (973) 593-2600 • Fax: (973) 593-6670
 Web: www.faradayfirealarms.com

WARNING - The information contained in this document is intended only as a summary and is subject to change without notice. The devices described in this document have specific instruction sheets which cover various technical, limitation and liability information. Copies of these instruction sheets and the General Product Warning and Limitations Document, which also contains important information, are provided with the product and are available from the Manufacturer. Information contained in these documents should be consulted before specifying or using the product. For further information or assistance concerning particular problems contact the Manufacturer.