

### EDVR16D3

16 Channel MPEG4 Network Digital Video Recorder w/Built-in DVD+RW Burner



#### Features

- Pentaplex Operation (Live, Recording, Playback, Archiving, Remote Viewing)
- MPEG4 Compression with built-in DVD+RW burner
- Up to 480 FPS of high recording rate
- Two internal hard drives with up to 1.5 terabytes of storage
- SCSI Interface for external expanded storage - 50 hard disks max. with disk array EDA800S (optional)
- BNC, VGA and S-Video main monitor outputs
- Two USB 2.0 port for Mouse and archive
- Watermark capabilities restores previous settings in the event of a power outage
- System diagnostic feature alert users of HDD or system problems via Email or alarm
- Free DDNS server for use with dynamic IP addresses



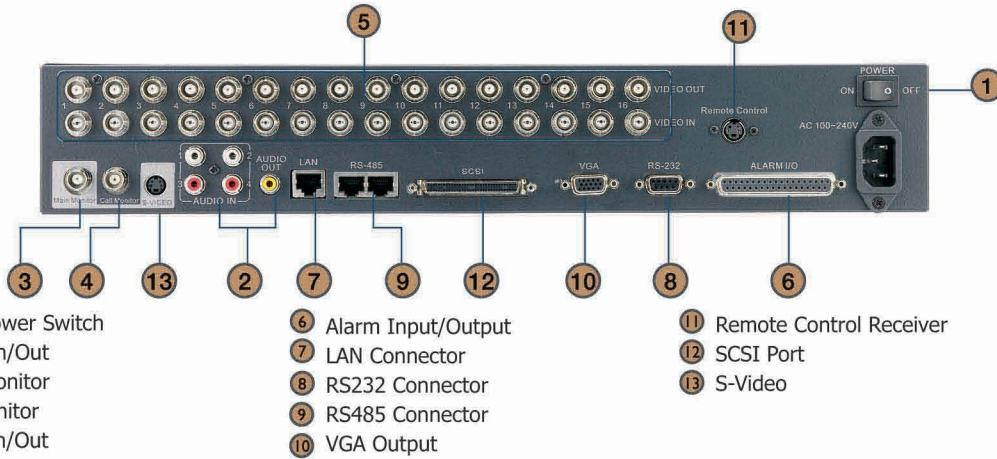
#### Specifications

Video Format	NTSC/PAL
Video Input	16 camera inputs (BNC), 1 Vp-p/75 ohm
Loop Through Out	16 BNC camera outputs, 1 Vp-p/75 ohm
Video Output	Main Monitor: 1 BNC video output, (1 Vp-p/75ohm) 1 VGA output, 1 S-Video Output Call Monitor: 1 BNC video output (1 Vp-p/75 ohm)
Video Compression	MPEG4 Compression
Recording Resolution	720x480 NTSC / 720x576 PAL
Video Display	Full, 4, 7, 9, 10, 13, 16, PIP (Live only) and 2x2 Zoom for Live and Playback
Live Display Res.	720x480 NTSC / 720x576 PAL
Video Pause	Yes
Video Loss Detection	Yes
Alarm Inputs	16 alarm inputs
Alarm Outputs	4 outputs (4 normally open, 4 normally closed)
Hard Disk Storage	2 internal 3.5" IDE hard disk w/up to 1.5 terabytes
External Storage	SCSI port for external disk array EDA800S (optional) USB 2.0 port for external USB Flash
Recording Rate	Up to 480 FPS
Recording Mode	Normal, Schedule Recording Event Recording (Motion, Video Loss & Alarm)
Playback Rate	Up to 480 FPS
Playback Search	By Date/Time or Event (Motion, Video Loss & Alarm)
Playback	Play, pause, stop, fast forward (x2, x4, x8, x16, x32, x600), step forward, fast backward (x2, x4, x8, x16, x32, x600), step backward
Motion Detection	Multiple configurable detection areas (28x22) & different sensitivity for each camera
Event Log	Yes

User Interface	User friendly OSD menu
Setup	On screen display setup
Timer	Built-in real time clock and auto time synchronization with global NTP server through Internet
Watch Dog Timer	Yes
Title	12-character title generator for each camera
SCSI Port	Available for additional external storage with EDA800S disk array (optional)
USB	Two USB 2.0 interface
Ethernet	RJ connectors for network communication
RS-232	9-pin female connector for local communication
RS-485	PTZ and/or control keyboard (optional)
User Input Device	Front panel keypad, shutter/jog, remote control, control keyboard (optional), mouse (not included)
Power Source	AC100~24V
Power Consumption	50W
Dimension	430 (L) x 402.5 (W) x 72 (H) mm / 16.9" (L) x 15.8" (W) x 2.8" (H)
Weight	Approx. 6.42 kg / 14 lbs
Temperature	0°C ~ 40°C / 32°F ~ 104°F

## Major Operating Controls

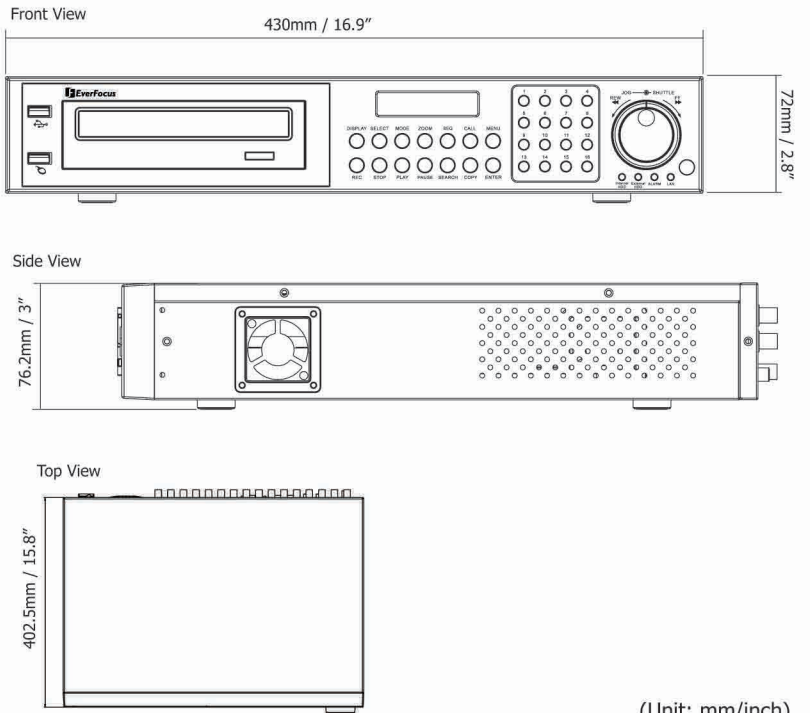
Rear View



## Package Contents

- DVR x 1
- Alarm Board x 1
- Power Cord x 1
- Mounting Bracket (2 per set) x 1
- Fan Filter & Cover x 2
- Remote Controller x 1
- CD-ROM x 1
- Manual x 1

## Dimensions



## Ordering Information

- **EDVR16D3/500:** 16CH, 480 FPS, DVD Burner, 500GB, TCP/IP, MPEG4, USB
- **EDVR16D3/1T:** 16CH, 480 FPS, DVD Burner, 1TB, TCP/IP, MPEG4, USB
- **EDVR16D3/1500:** 16CH, 480 FPS, DVD Burner, 1.5TB, TCP/IP, MPEG4, USB