

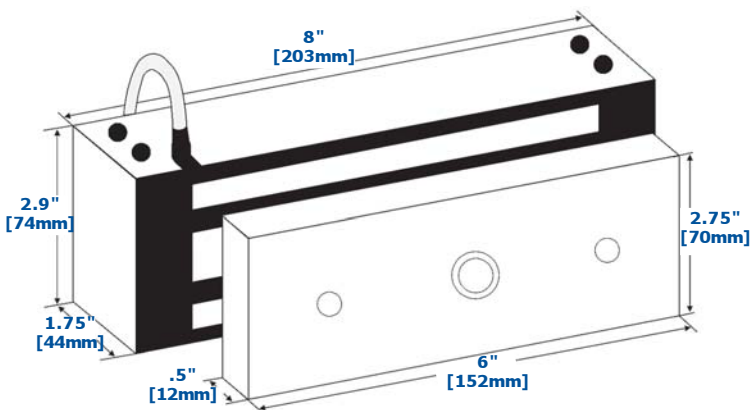
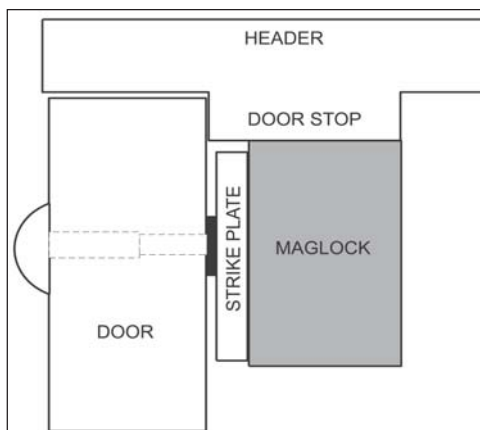
## M62 1200lb Holding Force Magnalock



**Application - 1200 lb. holding force Magnalock with automatic dual voltage. Recommended for exterior and perimeter doors through which criminals could gain entrance to cause substantial economic loss.**

### Features and Benefits

- Instant release circuit - no residual magnetism
- Fully sealed electronics - tamper proof and weatherproof
- Mounted using steel machine screws into blind finishing nuts
- Architectural brushed stainless steel finish (US32D/630)
- All ferrous metal surfaces plated to MIL specification
- Hardware accessories available to configure any opening type include mounting brackets, housings and dress covers
- Ten feet [3.05m] of jacketed, stranded conductor
- Automatic dual voltage - no field adjustment required
- Also available in Senstat, Conduit, Double and Face Mount models
- **UL Listed**



### Specification Data

**Holding Force:** 1,200 lbs. [544 Kg.]  
**Current Draw and Voltage:** 250mA at 12VDC; 125mA at 24VDC  
**Operating Temperature:** -40 to +140F [-40 to +60C]  
**Warranty:** MagnaCare Lifetime Replacement Warranty

### How To Order

Part #	Description
<b>M62</b>	Model 62 Magnalock
<b>M62F</b>	Model 62 Face Mount Magnalock
<b>M62FG</b>	Model 62 Face Mount Conduit Mag.
<b>M62G</b>	Model 62 Conduit Magnalock
<b>M62G-OS</b>	Model 62 Conduit Offset Strike Mag.
<b>M62G-SS</b>	Model 62 Conduit Split Strike Mag.
<b>M62-OS</b>	Model 62 Offset Strike Magnalock
<b>M62SC</b>	Model 62 Senstat Magnalock

### How To Order

Part #	Description
<b>M62SCF</b>	Model 62 Senstat Face Mount Magnalock
<b>M62SCFG</b>	Model 62 Senstat Face Mount Conduit Mag.
<b>M62SCG</b>	Model 62 Senstat Conduit Magnalock
<b>M62SCG-OS</b>	Model 62 Senstat Conduit Offset Strike Mag.
<b>M62SCG-SS</b>	Model 62 Senstat Conduit Split Strike Mag.
<b>M62SC-OS</b>	Model 62 Senstat Offset Strike Magnalock
<b>M62SC-SS</b>	Model 62 Senstat Split Strike Magnalock
<b>M62-SS</b>	Model 62 Split Strike Magnalock

See all of Securitron's Magnalock brackets and accessories beginning on page 24

[www.BevanSecurity.Com](http://www.BevanSecurity.Com)

